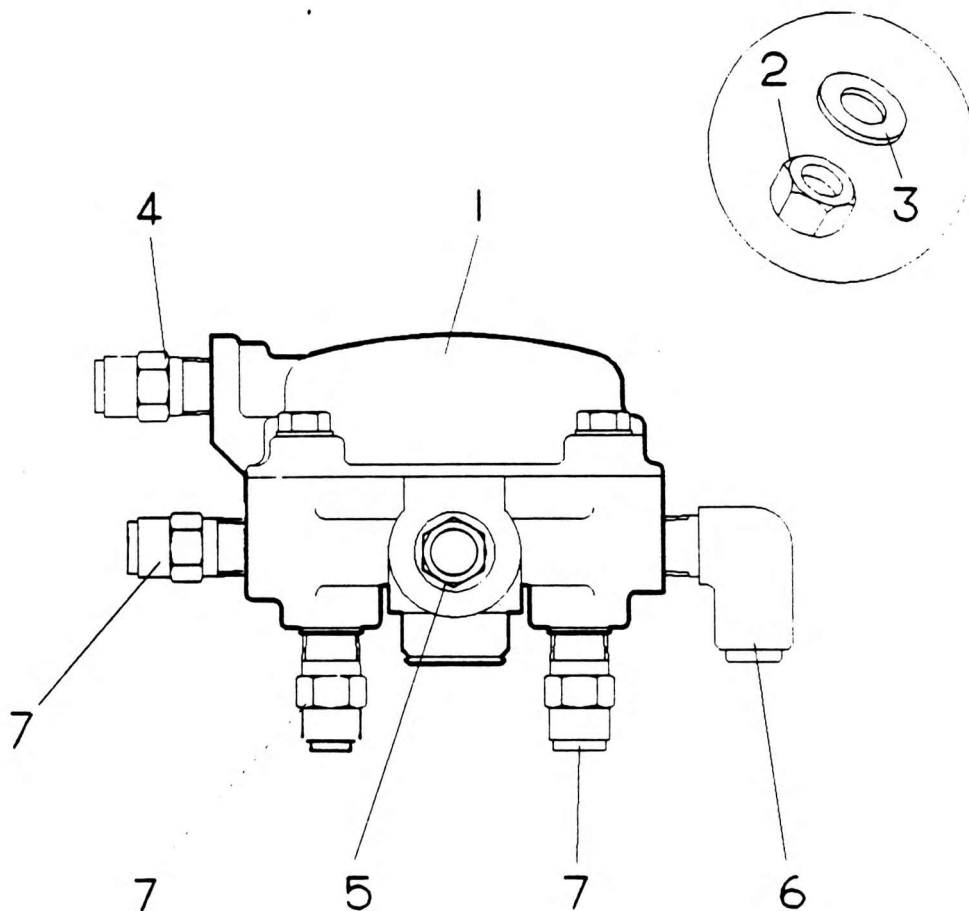


RELAY VALVE ASSEMBLY



ITEMS 2 AND 3 USED
TO MOUNT V.V. ON APPROPRIATE STUDS

NO.	PART NO.	QTY.	DESCRIPTION	NO.	PART NO.	QTY.	DESCRIPTION
1	+ 7-926-990157	1	Relay Valve				
2	7069301	2	Nut Hex M10				
3	7066538	2	Washer M10				
4	7-443-990965	1	Adaptor $\frac{1}{4}$ " NPTF x $\frac{3}{8}$ " Tube				
5	7-443-990972	1	Adaptor $\frac{1}{2}$ " NPTF x $\frac{1}{2}$ " Tube				
6	7-443-991027	1	Fixed Elbow Adaptor				
7	7-443-990968	3	Adaptor $\frac{3}{8}$ " NPTF x $\frac{3}{8}$ " Tube				

+ See further breakdown in this group